

Range
—
AMELIA



The mark of
responsible forestry



PRICELIST
PURCHASE – EURO

EXPORT
15.02.2022



Range

AMELIA

AMELIA is named after the first female pilot to cross the Atlantic. The design of the legs mimics a soft but strong power posture. A newborn classic, that shows the proud traditions in Danish design.

Designed by

Cecilie Kamp



This range include

Dining tables

Features



Design elements

Choose between different designs on plates and edgeprofiles.



Sustainable choice

This product is produced with Certified wood FSC® 100%.



Wood colours

Choose between more than 10+ different wood colours.



Custommade

In addition to our many standard sizes we can accommodate special requests.

Social media

Follow and share with us on Instagram.



@kristensenfurniture | #kristensenfurniture

Online Pricelist- and imagebank

On our sharefile you as a retailer always have access to the newest pricelists and hundreds of high resolution images and videos — **Free to use in your marketing!**

If you do not have an account yet, please contact us and then we will set it up for you!

SHAREFILE

<https://kristensenfurniture.sharefile.com>

PRICELIST

Table with R5 rounded corners & brass details



Table with edgeprofile 3 - Pisa Rounded & brass details.



WITH brass details.

Dining table w/R5 rounded corners (3 cm thickness) w/brass details				
Description	Measures (cm)	Item no.	Price (EUR)	
			Ash	Oak
Dining table with rounded corners*. *Except from when edge profile R.	280x100 H74	F-AM3XM-2810		
	260x100 H74	F-AM3XM-2610		
	240x100 H74	F-AM3XM-2410		
	220x100 H74	F-AM3XM-2210		
	200x100 H74	F-AM3XM-2010		
	180x90 H74	F-AM3XM-1809		



Leaf for dining table (3 cm thickness)				
Description	Measures (cm)	Item no.	Price (EUR)	
			Ash	Oak
End leaf 3 cm	50x100	F-AM3E-50x100		
	50x90	F-AM3E-50x90		



Edge profile 1

Harlekin angled edge profile and rounded corners.



Edge profile 2

Arched edge profile and rounded corners.



Edge profile 3

Pisa rounded edge profile and rounded corners.



Edge profile 4

Straight edge profile and rounded corners.



Edge profile R

Natural curved edge along the 2 long sides of the table

***This is without rounded corners!**

PRICELIST

Table with R5 rounded corners (without brass details)



Table with edgeprofile 3 - Pisa Rounded.



WITHOUT brass details.

Dining table w/R5 rounded corners (3 cm thickness)				
Description	Measures (cm)	Item no.	Price (EUR)	
			Ash	Oak
Dining table with rounded corners*. *Except from when edge profile R.	280x100 H74	F-AM3X-2810		
	260x100 H74	F-AM3X-2610		
	240x100 H74	F-AM3X-2410		
	220x100 H74	F-AM3X-2210		
	200x100 H74	F-AM3X-2010		
	180x90 H74	F-AM3X-1809		



Leaf for dining table (3 cm thickness)				
Description	Measures (cm)	Item no.	Price (EUR)	
			Ash	Oak
End leaf 3 cm	50x100	F-AM3E-50x100		
	50x90	F-AM3E-50x90		



Edge profile 1

Harlekin angled edge profile and rounded corners.



Edge profile 2

Arched edge profile and rounded corners.



Edge profile 3

Pisa rounded edge profile and rounded corners.



Edge profile 4

Straight edge profile and rounded corners.



Edge profile R

Natural curved edge along the 2 long sides of the table

***This is without rounded corners!**



Images for guiding purpose only!

The wood structure and colour will vary from ash and oak.

We therefore recommend using the wood samples/exhibition furniture to get a more accurate impression.

WOOD COLOURS



ASH C3 / OAK C3
Lacquered

We treated this wood with lacque.

C3 are only made for products without patination.



ASH C4 / OAK C4
Natural oiled

We treated this wood with our 'Natural oil'.



ASH C6 / OAK C6
White oiled

We treated this wood with our 'White oil'.



ASH C8 / OAK C8
Soaped

We treated this wood with soap.



ASH C11 / OAK C11
Dark grey oiled

We treated this wood with our 'Black oil'.



ASH C12 / OAK C12
Antique brown oiled

We treated this wood with our 'Antique brown oil'.



ASH C13 / OAK C13
Light grey oiled

We treated this wood with our 'Light grey oil'.



ASH C14 / OAK C14
Black stained & oiled

We treated this wood with black stain, and treated it with a wax oil.

C14 is for legs and storage furniture only!



ASH C15 / OAK C15
Mocca brown oiled

We treated this wood with our 'Mocca brown oil'.



ASH C16
Warm white oiled

We treated this wood with our 'Warm white oil'.

C16 is only for ash



ASH C20 / OAK C20
Grey brown oiled

We treated this wood with our 'Grey brown oil'.



ASH C44 / OAK C44
Black matt lacquered

We treated this wood with black stain, and treated it with matt lacque.

C44 is only for plates and can only be made for products without patination.



For more information about maintenance, please visit our website:
WWW.KRISTENSEN.COM



We also offers our own repairoils for our products
- contact us if you need a pricelist.

WOOD FINISH



UP

Without patination

The wood is planned and sanded to achieve a smooth surface.

With few and smaller knots.

Storage furniture can only be made with this finish!

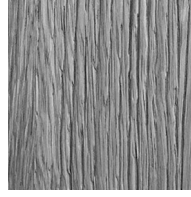


SC

Soft Cracks

Naturally occurring cracks are made more visible which gives a rustic look with cracks in the surface.

May contain more and larger knots.



RL

Raw Look

We brush off the layer of softer wood which gives a look of wood that has been roughened by natural wear.

May contain more and larger knots.



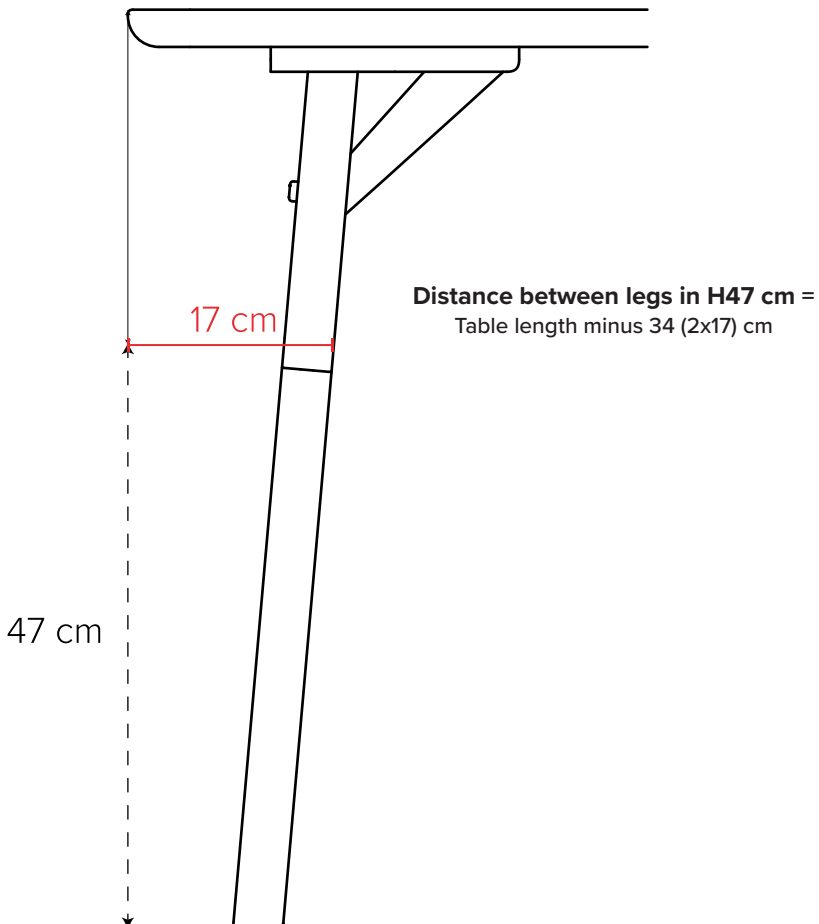
FK

Filled Knots

The knots are filled and the wood is planned and sanded to achieve a smooth surface.

Only for OAK!

LEG POSITION





FSC® CERTIFICATE

A commitment for a better tomorrow

We are happy to announce that from 2021 we have achieved the certification that enables us to offer FSC®-labelled products. FSC® stands for "Forest Stewardship Council" and is an international non-profit organisation dedicated to promote responsible forestry. FSC® certifies forests all over the world to ensure that they meet the highest environmental and social standards.

By signing this contract, we have committed ourselves to living up to stricter social requirements and a more sustainable production. We are proud of supporting the FSC® with their work in looking after the forest workers and the wood industry, as well as fighting unsustainable, illegal forestry and deforestation.

The FSC® certification is one of our key initiatives in creating a more sustainable production. We acknowledge that this sustainable transition is a longer journey and not something that happens overnight. But each day they we are committed in doing a little better than yesterday and keep making progress in this matter.

**PLEASE VISIT OUR WEBSITE FOR
MORE FSC® RELATED INFORMATION**

www.kristensen.com



The mark of
responsible forestry

CONTACT

CUSTOMISED TABLES

We are able to produce all our table types in special sizes. Furniture in special sizes requires special handling both in terms of manual handling, new drawings, machine settings and packaging. We therefore include a sur-charge for products in special sizes, whether the product will be larger or smaller. If you want a table in a smaller size e.g, the price is added 15% on the price of the nearest standard size.

Contact us for more information!

Agent, Norway

Paal Stenvaag

✉ post@mobelpaal.no

☎ +47 926 18 628

Agent, Finland

Jokko Salmevaara

✉ jokko.salmevaara@boknas.fi

☎ +358 401 958 886

Agent, Sweden

Mikael Deragården

✉ mikael@deragarden.com

☎ +46 0702 115 125

Agent, UK

Brendan Brett

✉ kristensen@theukagency.co.uk

☎ +44 77 34 265 599

Head office, Denmark

PHONE:

+45 75470303

ORDER MAIL:

order@kristensen.dk

ADDRESS:

Kristensen & Kristensen A/S
 Storstrømsvej 44
 6715 Esbjerg N
 DK - Denmark

TERMS & CONDITIONS

Can be sent via email by request – contact:
kristensen@kristensen.com

WEBSITE:

www.kristensen.com

CLAIMS:

claim@kristensen.dk

MAIL:

kristensen@kristensen.dk

FAX:

+45 75470304

